

Housekeeping / Room attendant trolleys

Atlas 1000

Efficient housekeeping



Standard equipment

- Anodised aluminium frame
- 1 open compartment for amenities
- 3 levels for ranging clean linen
- 1 horizontal steering handle
- Grey wrap-around non-marking bumper
- 4 swivelling wheels Ø160mm with non-marking polyamide layer combined with a 5th steering wheel

ATLAS 1000

Options



Waste bag holder mono and foldable base



Waste bag holder duplo (selective waste sorting) and foldable base



Waste bag curtain



Linen bag holder and foldable base



Foldable base



Linen dividers for amenities compartment / drawer



Amenities drawer



Stationery drawer including linear dividers



Doors with or without lock (opening up to 270°)



Coupling with satellite Callisto or Hermia



Stackable water tight box for tableware



15 or 30l lateral container (bacbis)



Lid for amenities compartment with or without lock



Lateral boxes for various uses



Mop holder and hook



Additional horizontal steering handle

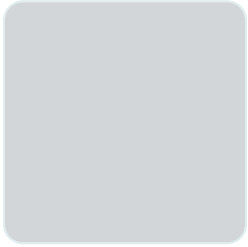


Extra protection via additional swivelling corner pads

ATLAS 1000

Finishes

Compact finishes



Light grey

Ref xx = 09



Wenge oak look

Ref xx = 11



Black caviar look

Ref xx = 14



Almond look

Ref xx = 17

Textile finishes



Black



Grey



Brown

ATLAS 1000

Configuration examples



Basic model



Stationery drawer



Amenities drawer



Amenities and stationery drawer



Amenities compartment lid



Amenities compartment lid and stationery drawer



Doors



Stationery drawer and doors



Amenities drawer and doors



Amenities drawer, stationery drawer and doors

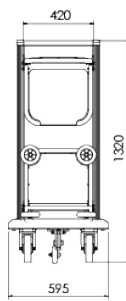
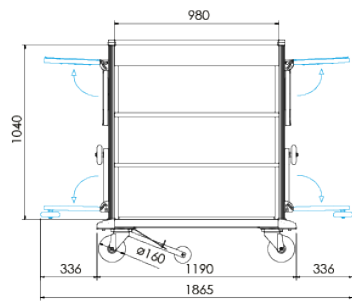


Amenities compartment lid and doors



Amenities compartment lid, stationery drawer and doors

Dimensions



ATLAS 1000

Overall dimensions

Width	Depth	Height	Wheels Ø
1190 mm	595 mm	1320 mm	160 mm

Inside dimensions

Width	Depth
980 mm	420 mm

Reference

Base model
101215xx